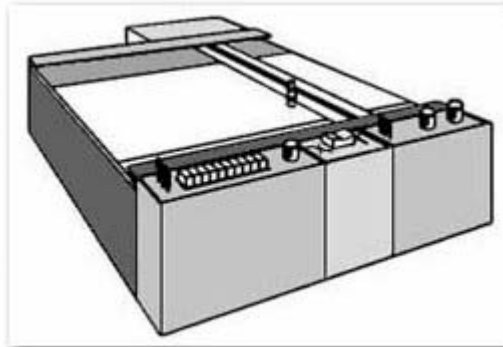


## RheoGraFX™ Model 1000 Flatbed Chart Recorder: Description



CCSi provides this new flatbed chart recorder as a replacement for the chart recorders currently in service on many models of Rheometers and Viscometers.

The RheoGraFX™ Model 1000 flatbed chart recorder is a customer driven design! Ergonomic and user friendly controls are conveniently mounted and identified for easy recognition and operation. The RheoGraFX™ is a proven design with an extensive history of reliability and durability in the most severe laboratory conditions.

## RheoGraFX™ Model 1000 Flatbed Chart Recorder: Features

- Electrostatic Paper hold down;
- Chart Paper sizes: 8½ x 11 or 11 x 17 inches (216 x 280, 280 x 432 mm);
- Disposable Pens (in a variety of colors);
- Push-button time selections;
- Direct cable connection to instrument;
- Reset: manual restart of test at any time;
- Hold: close platens without starting test;
- Sweep: start and continuous operation;
- Adjustable Zero: allows for adjustments to varying size borders on “standard” chart paper;
- Solid State modular components improves reliability, reduces maintenance costs and down time;
- Standard 115 VAC power requirement;
- [Please Submit a Request for Quotation \(RFQ\)](#) for current pricing and delivery.

## RheoGraFX™ Model 1000 Flatbed Chart Recorder: Specifications

- Weight: 14 kg;
- Dimensions:
  - Height – 165 mm (6.5 inches)
  - Width – 483 mm (19 inches)
  - Length – 470 mm (18.5 inches)
- Power: 115 VAC, 60 Hz, 1 PH;
- Power: (Alternative) 230 VAC, 50 Hz;
- Operating Position: Horizontal, Vertical or Incline;
- Chart Hold: Electrostatic... not vacuum;
- Pens: Disposable fiber tipped water soluble ink, foil packed in red, green, blue, black, or mix a pack of 5 pens per package;
- Temperature Stability: Less than ± 0.20% full scale at 10 – 40 C° after warm up including zero shift;
- Speed: Slewing speed of 104 cm/s;
- Zeroing: Full Scale ± 120% Suppression;
- Linearity: ± 0.1% Full Scale;
- Dead Band: ± 0.1% Full Scale;
- Accuracy: ± 0.2% Full Scale;

Detailed information on the RheoGraFX™ specifications, connectivity, and technical data may be obtained by sending an e-mail to [CCSi TechInfo](#).

Copyright © 2006 CCSi, Inc. • All Rights Reserved • Published February, 2006

Corporate Consulting, Service & Instruments, Incorporated  
221 Beaver Street • Akron, Ohio 44304 USA

Telephone: 800.742.8535 / 330.376.3600 • Facsimile: 800.229.9329 / 330.376.8500

• [WWW.CCSI-INC.COM](http://WWW.CCSI-INC.COM) • [WWW.ORECOZONE.NET](http://WWW.ORECOZONE.NET) •